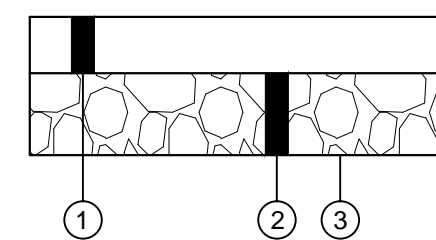


PHASE LINE COLD/ISOLATION JOINT DETAIL

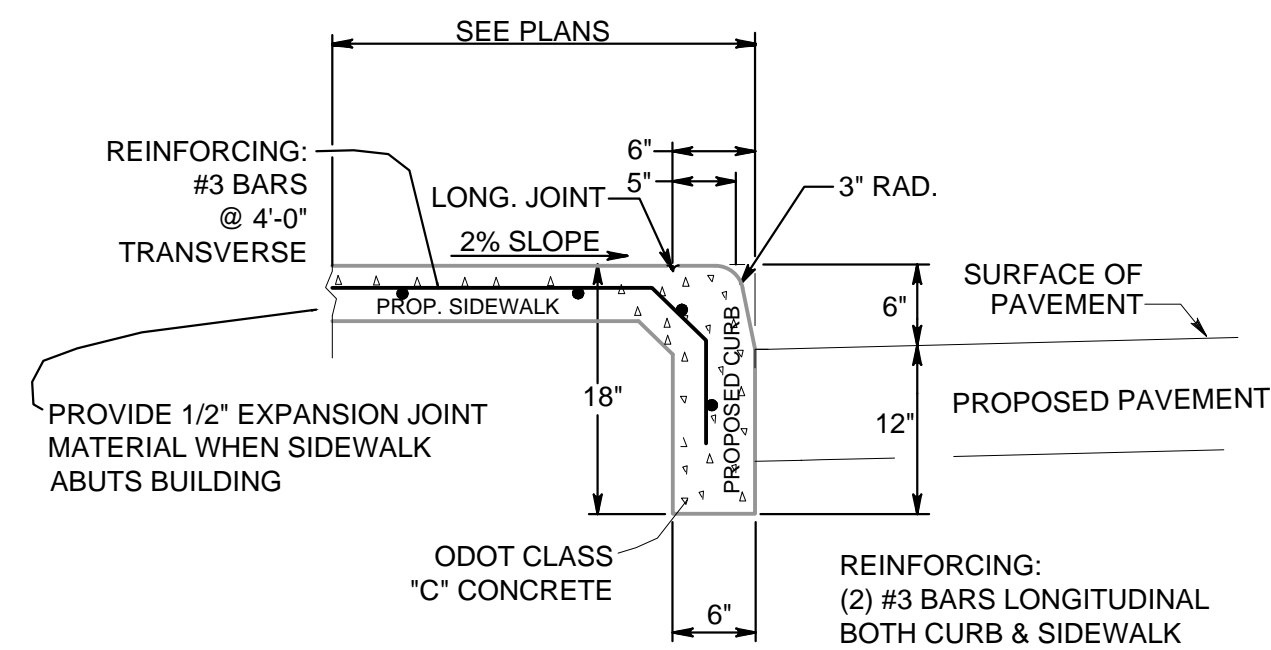
CONCRETE WALKS, DRIVES AND CURB RAMPS SHALL BE REINFORCED AND DOWELED INTO THE PROPOSED CURB.
 TO CLARIFY, THIS APPLIES TO SIDEWALKS, DRIVE APRONS AND CURB RAMPS. THE REINFORCING SHALL BE A #4 REBAR MAT IN THE CENTER OF THE CAST-IN-PLACE SLAB AT MAXIMUM 4 FOOT ON CENTER AND ALSO THE DOWELS SHALL BE AT MAXIMUM 4 FOOT SPACING. THE DOWELS ALSO SHALL BE #4 REBAR AND CAN BE DRILLED INTO THE CURB, SIDEWALK, DRIVE, ETC.

EXTERIOR CONCRETE:	
THICKNESS	AS INDICATED ON PLANS
TYPE	ODOT OSC 1 (WELL GRADED) SPEC'S TO FOLLOW ODOT C.M.S.
JOINT SPACING	CURBS (10.0' MAXIMUM) SIDEWALKS (6.0' MAXIMUM)
FINISH	BROOM W/TOOLED JOINTS & EDGES.
SEALING	BEARCOAT PREMIER OR APPROVED EQUAL

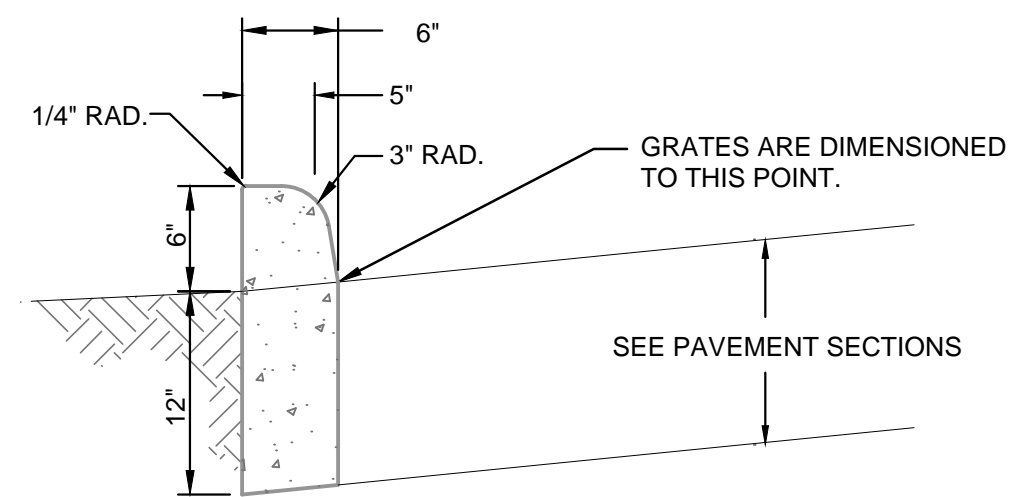


- ① 6" - 4000psi ODOT OSC 1 (WELL GRADED) w/ #4 BAR 48" ON CENTER, EACH WAY
- ② 6" - GRANULAR BASE, ODOT 304
- ③ SUBGRADE COMPACTION

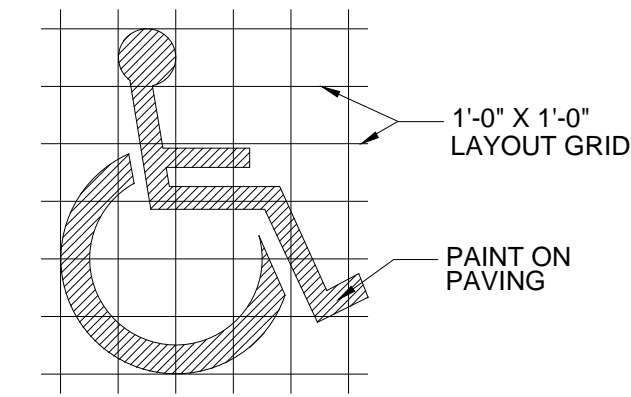
CONCRETE PAVEMENT SECTION



INTEGRAL CURB/SIDEWALK

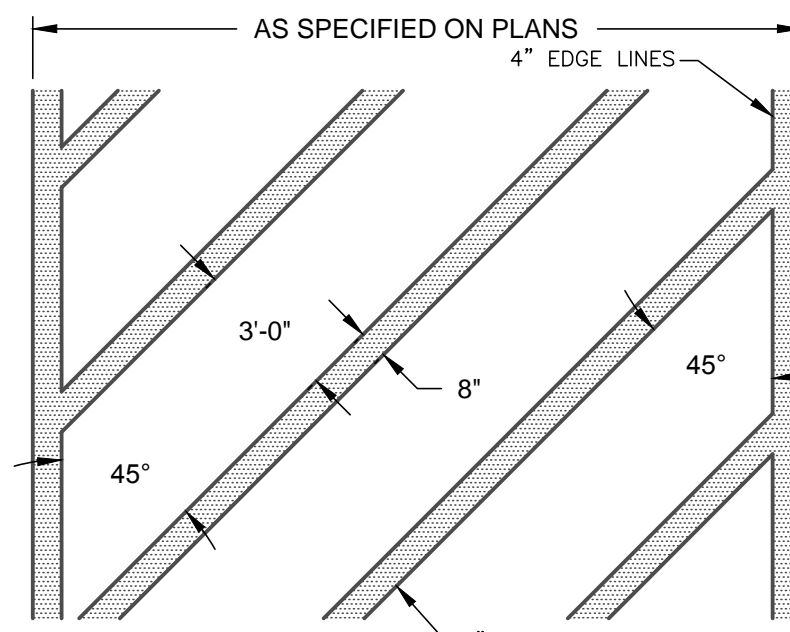


ITEM 609 - TYPE 6 CURB

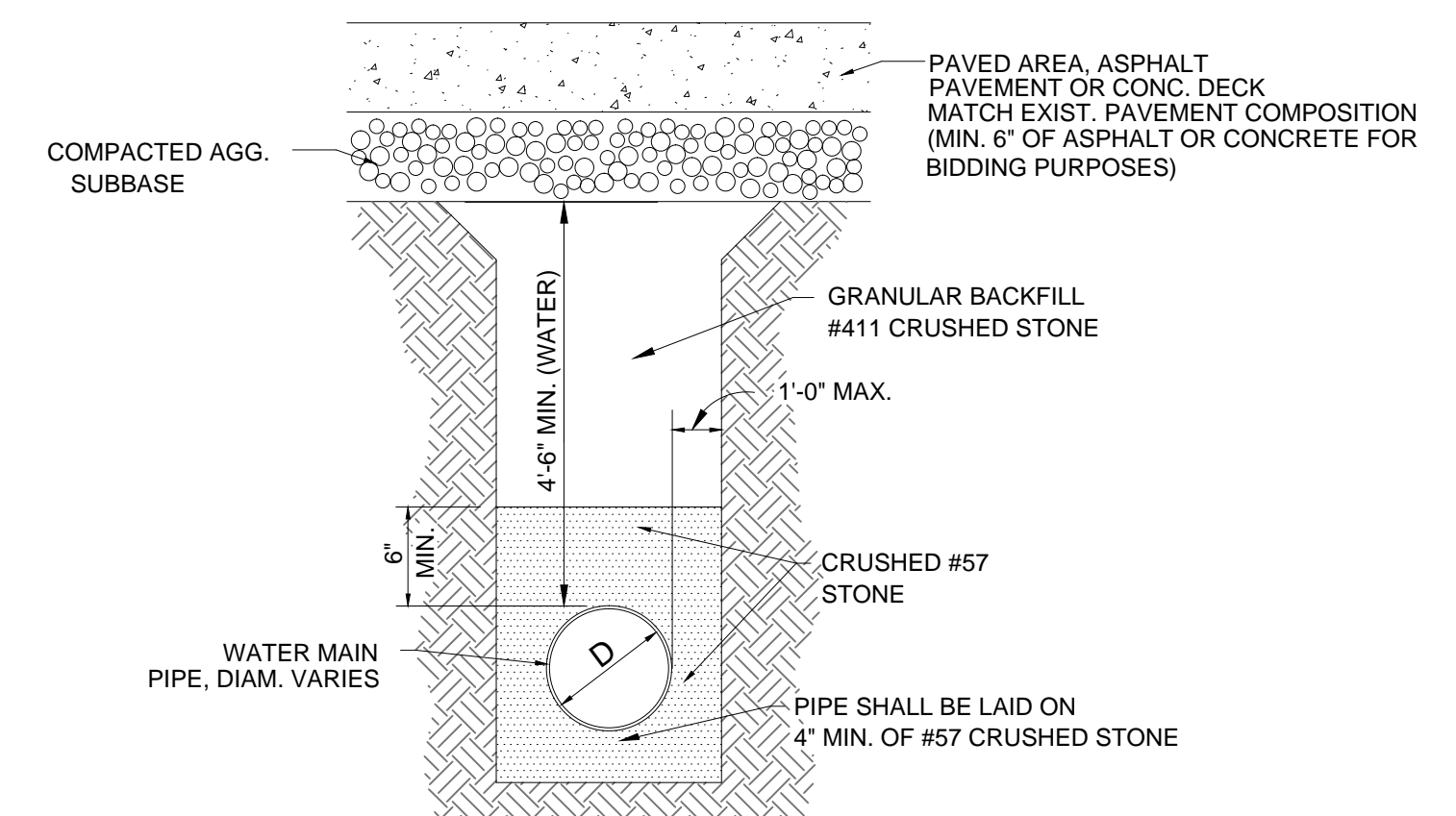


HANDICAPPED PARKING LOGO

PAVEMENT MARKINGS SHALL CONFORM TO ODOT CMS ITEM NUMBER 642 UNLESS OTHERWISE SPECIFIED IN PLANS OR PROJECT SPECIFICATIONS.

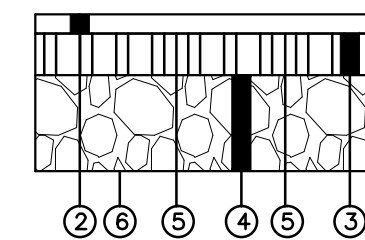


PAVEMENT MARKING DETAILS



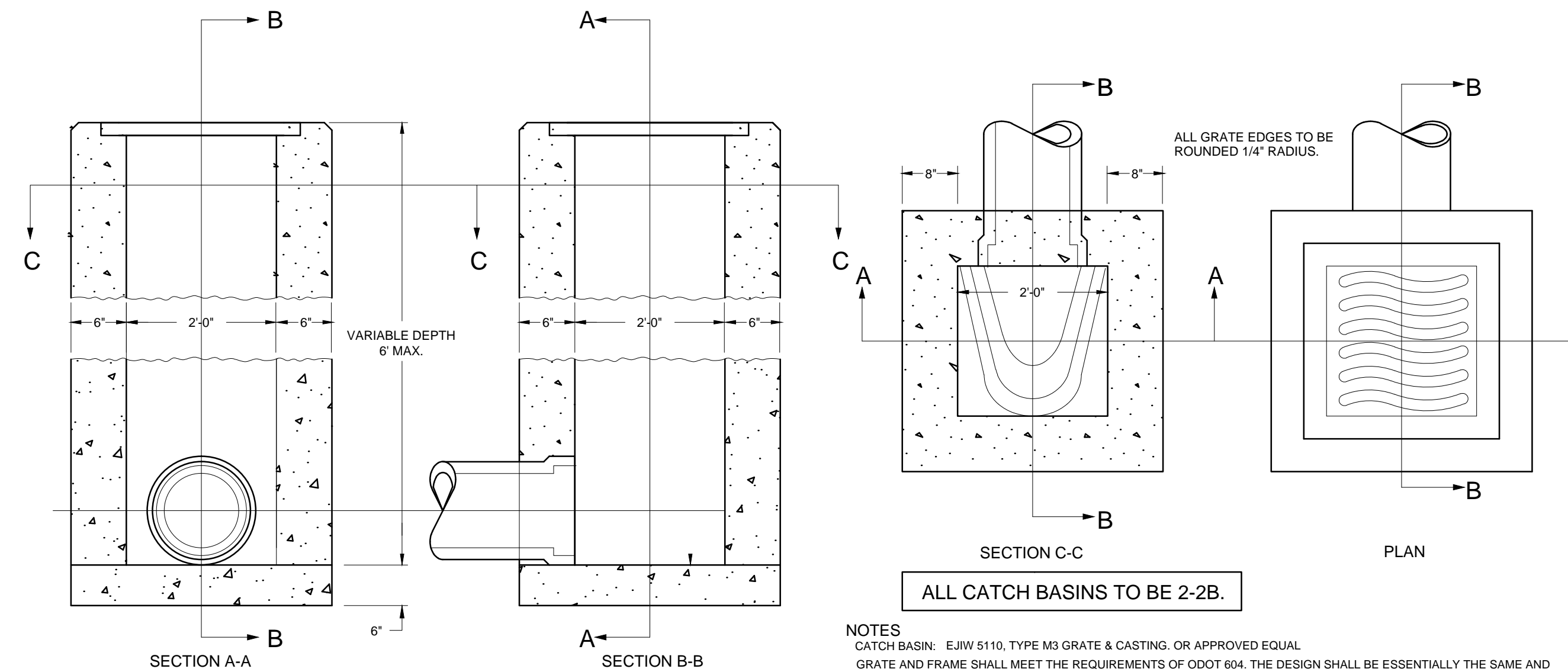
PAVED AREA TRENCH DETAIL (EXTENDING 5' BEYOND PAVEMENT)

TRENCH DETAILS



ASPHALT PAVEMENT SPECIFICATIONS

- ② 1.50" - ASPHALT SURFACE COURSE ODOT 448, TYPE 1, PG 64-22
- ③ 3.5" ODOT 301 ASPHALT BASE
- ④ GRANULAR BASE, 8" ODOT 304's
- ⑤ TACK COAT, ODOT 407 (0.040 GAL/SY)
- ⑥ SUBGRADE COMPACTION & GEOMESH (MIRAFI 500X OR APPROVED EQUAL)



ALL CATCH BASINS TO BE 2-2B.

NOTES
 CATCH BASIN: EJIW 5110, TYPE M3 GRATE & CASTING, OR APPROVED EQUAL.
 GRATE AND FRAME SHALL MEET THE REQUIREMENTS OF ODOT 604. THE DESIGN SHALL BE ESSENTIALLY THE SAME AND EQUALLY AS STRONG AS THE ONE SHOWN HEREON.
 BOTTOM SLAB MAY BE PRECAST SEPARATELY AND THE OUTLET PIPE PLACED ON TOP OF IT WITH THE BOTTOM SHAPED TO DRAIN.
 CONTRACTOR MAY USE PRECAST CATCH BASINS WITH KNOCK-OUT PANELS.

CATCH BASIN 2-2-B

Bockrath & Associates
 Engineering and Surveying, LLC
 115 South Fair Avenue, Suite A, Ottawa, OH 45875
 Phone: 419.523.5789
 www.bockrath-es.com

DETAILS
 NW OHIO AREA COMPUTER SERVICES CO-OP
 AMERICAN TOWNSHIP, ALLEN COUNTY, OHIO

REVISED	
GAB	6-30-17
GAB	7-31-17
REVIEWED BY:	GAB 6-30-17
DESIGNED BY:	GAB/TLP 6-30-17
JOB NUMBER:	17-185

C300